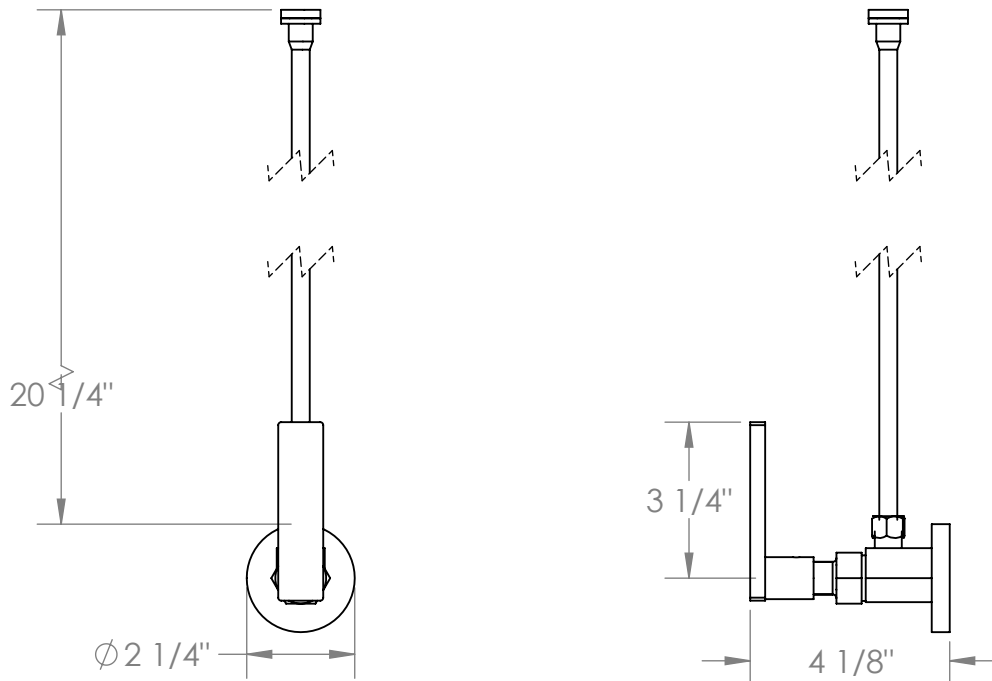
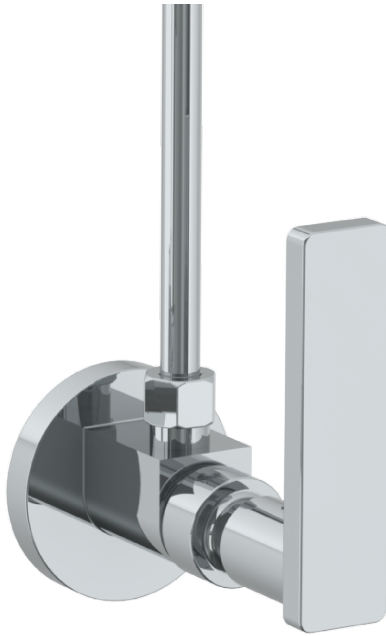


70-MAS6-RNS4

Toilet Angle Stop Kit

1/2" IPS x 3/8" OD Compression

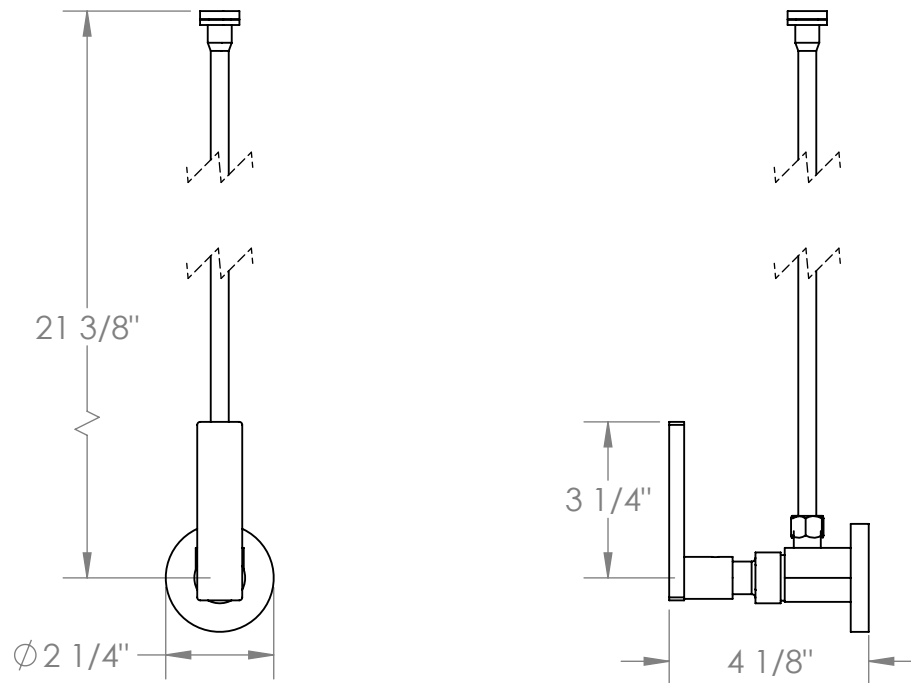
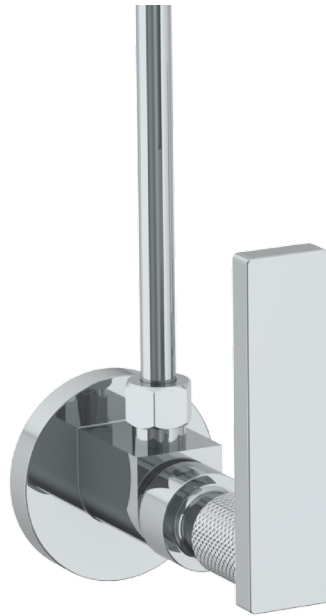


Meets the applicable requirements of ASME A112.18.1-2005/CSA B125.1-05, entitled "Plumbing Supply Fittings"

70-MAS6-RNK8

Toilet Angle Stop Kit

1/2" IPS x 3/8" OD Compression



Meets the applicable requirements of ASME A112.18.1-2005/CSA B125.1-05, entitled "Plumbing Supply Fittings"